



SHARK[®]
INSTRUMENTS

Crafted Steel For Perfect Surgery...



LAPAROSCOPY INSTRUMENTS



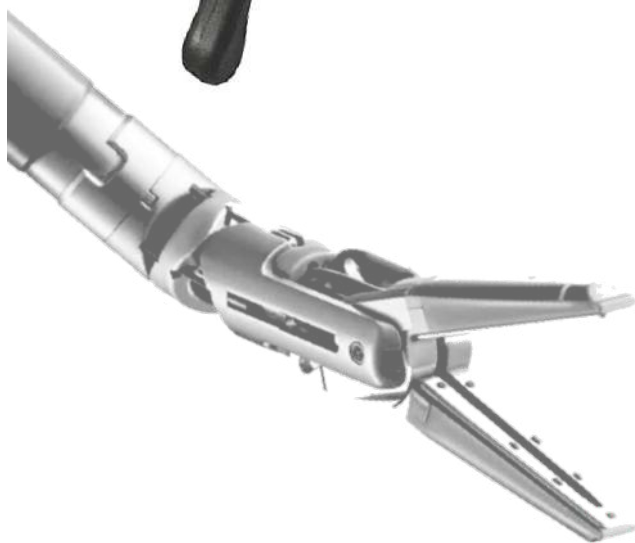
- *Quality Made INDIA*

The SHARK instruments reflect the high quality and reliability of

German manufacturing. Along with our excellent after sales service and repair *SHARK* products are considered the best choice in the industry.

Based on our continuous R&D efforts and the close collaboration with practicing surgeons and specialists, we can ensure the ergonomic design, high safety standard and ideal performance of all *SHARK* surgical products.

SHARK modular laparoscopic instruments show this proven performance as well as the high precision and durability of German designed instruments. All *SHARK* modular instruments are rotatable, and can be taken apart in 3 easy steps for best cleaning and autoclavability.



ISO 13485:2016



ISO 9001:2015



INTERNATIONAL ACCREDITATION SERVICE®

VERESS NEEDLE



Veress Needle
Dia 2.1mm, Length 12cm
■ VN-21-120



Veress Needle
Dia 2.1mm, Length 14cm
■ VN-21-140



Veress Needle
Dia 2.9mm, Length 14cm
■ VN-29-140

TROCAR CANNULA



■ CFT-04-90-10-PC



Trocar Cannula CFT
Spiral Pyramidal
Dia 5mm, Length 9cm
■ CFT-05-90-10-PC



Trocar Cannula CFT
Plain Pyramidal
Dia 7mm, Length 9cm
■ CFT-07-90-20-PC



Trocar Cannula CFT
Plain Pyramidal
Dia 10 mm, Length 10cm
■ CFT-10-100-20-PC



Trocar Cannula Magnetic
Spiral Pyramidal
Dia 5mm, Length 9cm
■ MTC-05-90-10-PC



Trocar Cannula Magnetic
Plain Pyramidal
Dia 10mm, Length 10cm
■ MTC-10-100-20-PC



Hydatid Cyst Trocar Cannula CFT
Dia 10mm, Length 15cm
■ HCC-10-150



Endoview Cannula CFT
Dia 10mm, Length 10cm
■ ECC-10-100-25



Hassan Rod & Cone
For CFT 10cm
■ THC-10-100-BC

TROCAR PIN(TOCHA) PYRAMIDICAL



CFT

- CP-05-90
- CP-10-100
- CP-05-140
- CP-07-90
- CP-10-140

Magnetic

- MP-05-90
- MP-10-100
- MP-13-140



Plain Cannula

- MCP-05-90
- MCP-10-100
- MCP-13-100
- CCP-05-90
- CCP-10-100
- CCP-13-100



Spiral Cannula

- MCS-05-90
- MCS-10-100
- MCS-13-100
- CCS-05-90
- CCS-10-100
- CCS-13-100



SAFETY TROCARS



Safety Trocar VN Type CFT
Dia 5mm , Length 16.5cm
■ STC-05-165-VN



Safety Trocar VN Type CFT
Dia 10mm, Length 20cm
■ STC-10-200-VN



Safety Trocar with Lock CFT
Dia 10mm, Length 20cm
■ STC-10-200



Safety Trocar (Dr.Venkatesh Type) For CFT/ Magnetic
10mm Dia Length 200mm /180mm
■ STVC-10-200-VN
■ STVM-10-180-VN

REDUCER



Reducer Metal Sleeve
10/5mm (for CFT)
■ RCM-105-175



Reducer Metal Sleeve
10/7mm (for CFT)
■ RCM-107-175



Reducer Metal Sleeve
7/5mm (for CFT)
■ RCM-075-165



Reducer Metal Sleeve
05/3mm (for CFT)
■ RCM-053-155



Reducer Flip On
10/5mm
■ RUF-105-20



Reducer Flip On
10/7mm
■ RUF-107-20



Reducer Flip On
07/5mm
■ RUF-075-20



Reducer Flip On
05/3mm
■ RUF-053-20

WASHER FOR TROCARS

| | 10 mm | 7 mm | 6 mm | 5 mm | 3 mm |
|-------------------------------|----------------------------|----------------------------|---------------------------|---------------------------|-------------|
| Trocar Cap (Outer) Washer | | | | | |
| | TCWB-10 | TCWG-7 | TCWP-6 | TCWO-5 | TCWR-3 |
| Trocar Sealing (Inner) Washer | | | | | |
| | IWAS-10 | IWAS-567 | IWAS-567 | IWAS-567 | |
| O - Ring (Flap body) | | | | | |
| Magnetic CFT | ORM-20-2-F ORC-19-2-F | ORM-20-2-F ORC-22-2-F | ORM-20-2-F ORC-22-2-F | ORM-15-2-F ORC-22-2-F | ORM-15-2-F |
| O - Ring (Cannula) | | | | | |
| Magnetic CFT | ORM-08-02-C ORC-12-15-C | ORM-04-02-C ORC-04-02-C | ORM-04-02-C ORC-05-2-C | ORM-04-15-C ORC-05-2-C | ORM-04-15-C |



DISSECTING/GRASPING FORCEPS



Maryland Small Dissecting & Grasping Forcep FHP
Dia 5mm, Length 30cm
■ **DMS-05-30-01**



Maryland Medium Dissecting & Grasping Forcep FHP
Dia 5mm, Length 30cm
■ **DMM-05-30-01**



Maryland Medium Diamond Dissecting & Grasping Forcep FHP
Dia 5mm, Length 30cm
■ **DMMD-05-30-01**



Maryland Long Dissecting & Grasping Forcep FHP
Dia 5mm, Length 30cm
■ **DML-05-30-01**



Maryland Medium Dissecting & Grasping Forcep FHP
Dia 10mm, Length 30cm
■ **DMM-10-30-01**



Maryland 45° Dissecting & Grasping Forcep FHP
Dia 5mm, Length 30cm
■ **DMA-05-30-45°-01**



Mixer 90° Dissecting & Grasping Forcep FHP
Dia 5mm, Length 30cm
■ **DMR-05-30-90°-01**



Mixer 90° Dissecting & Grasping Forcep FHP
Dia 10mm, Length 30cm
■ **DMR-10-30-90°-01**



Dolphin Dissecting Grasping & Forcep FHP
Dia 5mm, Length 30cm
■ **DDO-05-30-01**



Duckbill Dissecting & Grasping Forcep FHP
Dia 5mm, Length 30cm
■ **DDB-05-30-01**

**SHARK INSTRUMENTS OFFERS
FULL RANGE OF CONTROL TIP
DISSECTORS FOR ENHANCE
PRECISION USED IN
LAPAROSCOPIC SURGERY**

RELIABLE



PRECISE



SHARP SCISSORS FOR SURGERY TO HELP OPTIMIZE CUTTING PERFORMANCE. SHARK INSTRUMENTS OFFERS REUSABLE SCISSORS



Micro Straight Scissor (SA) FHP
Dia 5mm, Length 30cm
■ SMS-05-30-01-SA



Straight Scissor (SA) FHP
Dia 5mm, Length 30cm
■ SSS-05-30-01-SA



Straight Scissor (DA) FHP
Dia 5mm, Length 30cm
■ SSD-05-30-01



Curve Scissor Metzanbaum
FHP Dia 5mm, 30 Length
■ SCM-05-30-01



Curve Scissor Maryland Type
FHP Dia 5mm, Length 30cm
■ SCD-05-30-01



Curve Scissor Short FHP
Dia 5mm, Length 30cm
■ SCS-05-30-01



Hook Scissor (SA) FHP
Dia 5mm, Length 30cm
■ SHS-05-30-01-SA



Cardia Achalasia Scissor (SA) FHP
Dia 10mm, Length 30cm
■ SCA-10-30-01-SA

MINIMAL INVASIVE SURGERY MADE EASY



ATRAUMATIC GRASPERS



Plain Long Grasping
Forcep FHBR
Dia 5mm, Length 30cm
■ **APL-05-30-03**



Allies Grasping
Forcep FHBR
Dia 5mm, Length 30cm
■ **AAS-05-30-03**



Alligator Grasping
Forcep FHBR
Dia 5mm, Length 30cm
■ **AGA-05-30-03**



Endoclinch Grasping
Forcep FHBR
Dia 5mm, Length 30cm
■ **AGE-05-30-03**



Universal Grasping
Forcep FHBR
Dia 5mm, Length 30cm
■ **AGU-05-30-03**



Fenestrated Small (SA)
Grasping Forcep FHBR
Dia 5mm, Length 30cm
■ **AFS-05-30-03**



Fenestrated Medium (DA)
Grasping Forcep FHBR
Dia 5mm, Length 30cm
■ **AFM-05-30-03**



Fenestrated Long Grasping
Forcep FHBR
Dia 5mm, Length 30cm
■ **AFL-05-30-03**



Babcock Atrogrip Grasping
Forcep FHBR
Dia 5mm, Length 30cm
■ **ABA-05-30-03**



Babcock Plate Grasping
Forcep FHBR
Dia 10mm, Length 30cm
■ **ABP-10-30-03**



Oval Grasping
Forcep FHBR
Dia 5mm, Length 30cm
■ **AOS-05-30-03**



Tube Holder Grasping
Forcep FHBR
Dia 5mm, Length 30cm
■ **ATH-05-30-03**



Endowave Grasping
Forcep FHBR
Dia 5mm, Length 30cm
■ **AGW-05-30-03**



Fenestrated Double
Slit Straight (SA) Grasping
Forcep FHBR
Dia 5mm, Length 30cm
■ **AFDS-05-30-03-SA**



Fenestrated Double
Slit Curve (SA) Grasping
Forcep FHBR
Dia 5mm, Length 30cm
■ **AFD-05-30-03-SA**



Babcock Paddle Grasping
Forcep FHBR
Dia 5mm, Length 30cm
■ **ABP-05-30-03**

ATRAUMATIC GRASPERS



2x4 Grasping
Forcep FHBR
Dia 5mm, Length 30cm
■ T24-05-30-03



2x3 Grasping
Forcep FHBR
Dia 5mm, Length 30cm
■ T23-05-30-03



Davinchi Grasping
Forcep FHBR
Dia 5mm, Length 30cm
■ TGD-05-30-03



Tenaculam (SA) Grasping
Forcep FHBR
Dia 5mm, Length 30cm
■ T11-05-30-03-SA

SHARK INSTRUMENTS PROVIDES DETACHABLE RANGE OF EFFICIENT ERGONOMICALLY DESIGNED TRAUMATIC GRASPERS TO ENHANCE SURGICAL PRECISION



BIOPSY FORCEPS



Biopsy Grasping Forcep
Spoon FHP
Dia 5mm, Length 30cm
■ BFS-05-30-01



Biopsy Grasping Forcep
(Spoon with Spike) FHP
Dia 5mm, Length 30cm
■ BSS-05-30-01

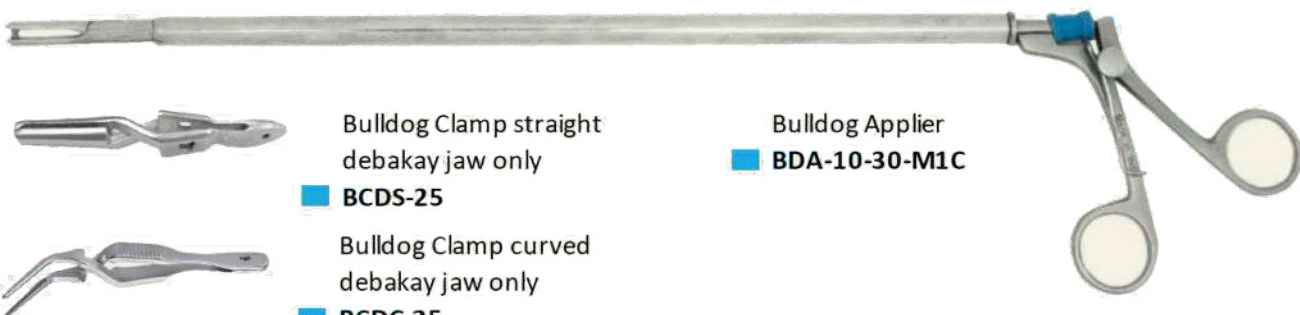


Clamp Intestinal
Straight FHBR
Dia 5mm, Length 30cm
■ CIS-05-30-03



Clamp Intestinal
Curved FHBR
Dia 5mm, Length 30cm
■ CIC-05-30-03

VASCULAR BULLDOG CLIPS & APPLIER



Bulldog Clamp straight
debakay jaw only
■ BCDS-25

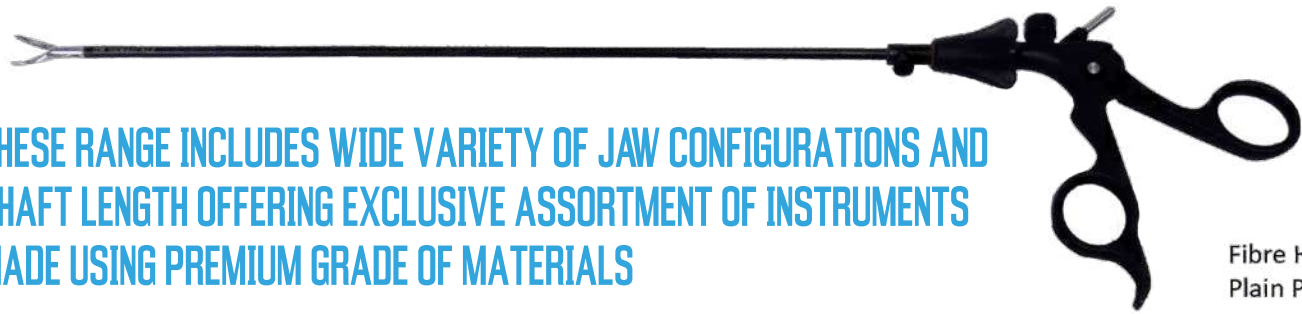


Bulldog Clamp curved
debakay jaw only
■ BCDC-25

Bulldog Applier
■ BDA-10-30-M1C

PR SERIES

THESE RANGE INCLUDES WIDE VARIETY OF JAW CONFIGURATIONS AND SHAFT LENGTH OFFERING EXCLUSIVE ASSORTMENT OF INSTRUMENTS MADE USING PREMIUM GRADE OF MATERIALS



Fibre Handle Plain PR Series



Maryland Medium T.C. Dissecting & Grasping Forcep PRP
Dia 5mm, Length 30cm
■ **DMMP-05-30-11-TC**



Curve Scissor Metznanbaum PRP
Dia 5mm, Length 30cm
■ **SCMP-05-30-11**



Universal T.C. Atraumatic Grasper PRP
Dia 5mm, Length 30cm
■ **AGUP-05-30-11-TC**



Fenestrated Medium T.C. Atraumatic Grasper (DA) PRP
Dia 5mm, Length 30cm
■ **AFMP-05-30-11-TC**



Plain Long T.C. Atraumatic Grasper PRP
Dia 5mm, Length 30cm
■ **AGPL-05-30-11-TC**



Babcock T.C. Atraumatic Grasper PRP
Dia 5mm, Length 30cm
■ **AGBP-05-30-11-TC**



2x3 Traumatic Grasper PRP
Dia 5mm, Length 30cm
■ **T23P-05-30-11**



2x4 T.C. Traumatic Grasper PRP
Dia 5mm, Length 30cm
■ **T24P-05-30-11-TC**

GALL BLADDER EXTRACTOR



Claw Forceps Traumatic Dia 10mm, Length 30cm with Metal Handle Spring Loaded
■ **GBE-10-30-M1C**

STONE REMOVAL



Stone Removal Forceps Dia 10mm, Length 30cm, with Metal Handle Spring Loaded
■ **SRF-10-30-M1C**



CLIP APPLICATOR



Clip Applicator Dia 5mm,
Length 30cm, Medium LT200

C2-05-30-08-E

Clip Applicator 10mm, 30cm
Medium Large LT300

C3-10-30-07-E

Clip Applicator 3-in-1
Dia 10mm, Length 30cm
for LT200/300/400 Clips

C31-10-30-07-E



Clip Applicator for Polymer Clips
Dia 10mm, Length 30cm
(Hem-o-lok Type)

CH4-10-30-10-PP

(Purple / Large)

CH5-10-30-10-PY

(Yellow / Extra Large)

Clip Applicator for Polymer Clips
Dia 5mm, Length 30cm
(Hem-o-lok Type)

CH3-05-30-10-PG

(Green / Medium Large)



Clip Applicator for Polymer Clips
Dia 10mm, Length 30cm (Hem-
o-lok Type) (Non-Detachable)

NCH4-10-30-10-PP

(Purple / Large)

NCH5-10-30-10-PY

(Yellow / Extra Large)

Clip Applicator for Polymer Clips
Dia 5mm, Length 30cm
(Hem-o-lok Type)

(Non-Detachable)

NCH3-05-30-10-PG

(Green / Medium Large)



RETRACTOR



Fan Retractor Take-A-Part
Dia 5mm, Length 30cm

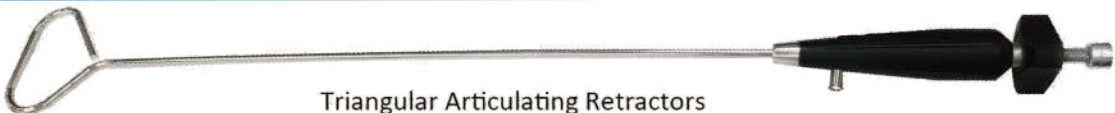
FCT-05-30-05



Fan Retractor Take-A-Part
Dia 10mm, Length 30cm

FCT-10-30-10

ARTICULATING RETRACTOR



Triangular Articulating Retractors
Dia 5mm, Length 36cm

ALR-T-05-36



Circular Articulating Retractors
Dia 5mm, Length 36cm

ALR-C-05-36



L Hook -Angled Articulating Retractors
Dia 5mm, Length 36cm

ALR-L-05-36

NEEDLE HOLDER



Axial grip



Pistol Grip



Needle Holder T.C. Straight Jaw
Axial Handle Dia 5mm, Length 30cm

■ **NSA-05-30**

Needle Holder T.C. Straight Jaw Pistol
Handle Dia 5mm, Length 30cm

■ **NSP-05-30**



Needle Holder T.C. Curve Jaw (Left)
Axial Handle Dia 5mm, Length 30cm

■ **NLA - 05 - 30**

Needle Holder T.C. Curve Jaw (Left)
Pistol Handle Dia 5mm, Length 30cm

■ **NLP-05-30**



Needle Holder T.C. Tooth Jaw Axial
Handle Dia 5mm, Length 30cm

■ **NTA-05-30**

Needle Holder T.C. Tooth Jaw Pistol
Handle Dia 5mm, Length 30cm

■ **NTP-05-30**



Needle Holder Self Aligning Jaw
Axial Handle Dia 5mm, Length 30cm

■ **NAA-05-30**

Needle Holder Self Aligning Jaw Pistol-
Handle Dia 5mm, Length 30cm

■ **NAP-05-30**

RECOMMENDED Needle SIZE : 30/35mm, 1/2 Circle Round / Taper Cut Needle

SUCTION IRRIGATION



2 Way Sliding Valve Suction
Irrigation with Cannula
Dia 5mm Length 30 cm
Shaft Non-Insulated

■ **SI-05-30-2WC**



2 Way Sliding Valve Suction
Irrigation with Cannula
Dia 10mm Length 30 cm
Shaft Non-Insulated

■ **SI-10-30-2WC**



Trumpet Valve Suction
Irrigation with Cannula
Dia 5mm, Length 30cm
Shaft Non-Insulated

■ **SI-05-30-TC**



Trumpet Valve Suction
Irrigation with Cannula Set
of 2, Dia 10mm, Length 30cm
Shaft Non-Insulated

■ **SI-10-30-TCS**

KNOT PUSHER



Bhandarkar's knot Pusher
($\varnothing=1.2\text{mm}$) with Reducer
dia 5mm, Length 40cm

■ **KPBR-05-40-12**



Bhandarkar's knot Pusher
($\varnothing=0.9\text{mm}$) with Reducer
dia 5mm, Length 40cm

■ **KPBR-05-40-09**

TYPE OF SUTURE : 1 & 1.0

TYPE OF SUTURE : 2.0



Clark's Type Knot
Pusher ($\varnothing=1.2\text{mm}$)
Dia 5mm , Length 40cm

■ **KPC-05-40-12**



Hook's Type Knot
Pusher ($\varnothing=1.2\text{mm}$)
Dia 5mm, Length 40cm

■ **KPL-05-40-12**

MONOPOLAR ELECTRODES



'L' Hook Electrode (Teflon)
Dia 5mm Length 30cm
■ LHT-05-30



'L' Hook Electrode (Ceramic)
Dia 5mm Length 30cm
■ LHC-05-30



'L' Hook Electrode with
Suction (Ceramic)
Dia 5mm Length 30cm
■ LHSC-05-30



Spatula Electrode
Dia 5mm, Length 30cm
■ SE-05-30



Aspiration Needle Insulated
Teflon Dia 5mm , Length 30cm
■ ANIT-05-30



Aspiration Needle Non Insulated
Dia 5mm, Length 30cm
[Needle Gauge-14]
■ ANN-05-30-14



Aspiration Needle Non Insulated
Dia 5mm ,Length 30cm
[Needle Gauge-16]
■ ANN-05-30-16

PORT CLOSURE



Nande's Port Closure
Left Curve
■ PCL-12



Nande's Port Closure
right Curve
■ PCR-12



Cobbler Needle
Dia 2mm, Length 11cm
■ CN-02-11

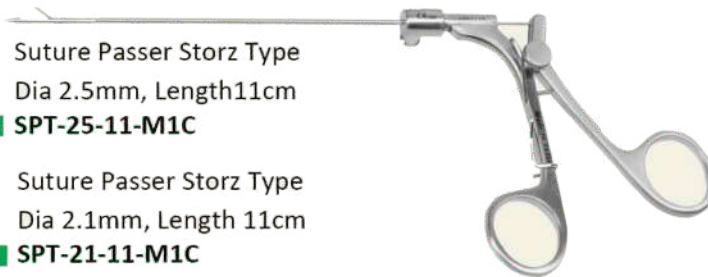
SUTURE PASSER



Suture Passer Storz Type
Dia 2.5mm, Length 11cm
■ SPT-25-11-M1C



Suture Passer Storz Type
Dia 2.1mm, Length 11cm
■ SPT-21-11-M1C



Suture Passer Cone (Teflon)
■ SPC-10



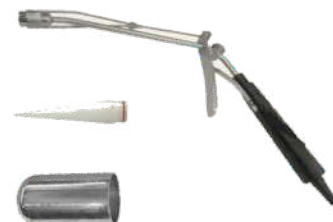
Cholangiogram Forcep
Dia 5mm, Length 30cm
■ CHF-05-30-M2C



GBD-B
(Ballon) DD Gaur's Balloon Dissector
Dia 10mm Length 30cm
■ GBD-10-30-C

Pile Gun with Suction
■ PGS

Pile Gun Loader
PGL
Pile Gun Cup
PGC



UTERINE MANIPULATOR



Uterine Manipulator
PL2 Type with 3 Tips
■ UTM



Uterine Manipulator
Masrani Type
■ MUM



Uterine Manipulator
Tooth Type Round
Colpotomiser with 3 Tips
■ TUM - FC
■ TUM - HC



Storz Type Uterine
Manipulator - Round
Colpotomiser with 3 Tips
■ SUM - FC
■ SUM - HC

VAGINAL TUBE



Vaginal Tube (Small)
front end teflon
Dia 32mm , Length 20cm
■ VTST-32-20-C



Vaginal Tube (Medium)
front end teflon
Dia 38mm, Length 20cm
■ VTMT-38-20-C



Myoma Screw
Dia 5mm, Length 30cm
■ MYS-05-30



Myoma Screw with Needle
Dia 5mm, Length 30cm
■ MYN-05-30

MYOMA SCREW

RING APPLICATOR



Ring Applicator Storz Type [For DP]
Dia 7mm, Length 33cm with Loader Pusher
■ RSD-07-33-C
■ RAL-01 (Loader)
■ RAP-01 (Pusher)



Ring Applicator Storz Type [For SP]
Dia 6mm, Length 33cm with Loader Pusher
■ RSS-06-33-C
■ RAL-02 (Loader)
■ RAP-01 (Pusher)

ENDOKNIFE



Endoknife Retractable
Detachable Dia 5mm, Length
30cm Complete
■ ER-05-30-C
■ EK-05 (Blade)



Endoknife Retractable
Detachable Dia 10mm,
Length 30cm Complete
■ ER-10-30-C
■ EK-10 (Blade 10/11)

PCOD NEEDLE



PCOD Needle New TAP
Dia 5mm. Length 30cm
■ PCOD-05-30-D



PCOD Needle Fixed (Non Detachable)
Dia 5mm ,Length 30cm
■ PCOD-05-30-F

MANUAL MORCELLATOR



Manual Morcellator
Dia 10mm, Length 18cm
■ MM-10-18

MYOMECTOMY NEEDLE



Myomectomy Needle
Dia 5mm, Length 30cm & 17cm
■ MN-05-30-C
■ MN-05-17-C

BIPOLAR INSTRUMENTS

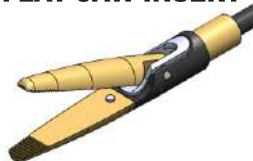


ROUND JAW INSERT



Dissection, Coagulation, Cutting in one jaw.
Special Insulation for avoiding electrical sparks during Surgery.
High Wear and Tear Non stick coating for avoiding debris charring

FLAT JAW INSERT



Special geometry for vessel sealing and better penetration in clustered spaces.
Front grooves to avoid tissue slippage.
Designed to hold thick tissue and seal with best result.

CURVED JAW INSERT



Vessel sealing and grasping in one jaw.
Mary land curved shape for better entry and visualization.
Special geometry grooves for achieving best sealing and non slipping of tissue.

FENESTRATED JAW INSERT



Ergonomic Fenestrated Jaw with groove for best grasping and creation of traction.
Special Fenestrated geometry and grooves for non slipping of thick tissue.
Front Shape with round edge for better control and penetration

Lap Bi-Clamp



Metal



Coated



Stainless Steel



Cystoscopes



134° C
18 min AUTOCLAVE
273° F

HD CYST

| Length | Ø | 0° | 12° | 30° | 70° |
|----------|--------|--|--|--|---|
| 302,0 mm | 2,7 mm | 77-305-00 ■ | ■ | 77-305-30 ■ | 77-305-70 ■ |
| 302,0 mm | 2,9 mm | 77-307-00 ■ | ■ | 77-307-30 ■ | 77-307-70 ■ |
| 302,0 mm | 4,0 mm | 77-310-00 ■ | 77-310-12 ■ | 77-310-30 ■ | 77-310-70 ■ |

Cysto-Uretroscope Sheath



25 Fr

23.5 Fr

20 Fr

19 Fr

17 Fr

15.5 Fr

CYSTO-URETHROSCOPE-SHEATH with OBTURATOR 17 Fr

CYSTO-URETHROSCOPE-SHEATH with OBTURATOR 19 Fr

CYSTO-URETHROSCOPE-SHEATH with OBTURATOR 20 Fr

CYSTO-URETHROSCOPE-SHEATH with OBTURATOR 21 Fr

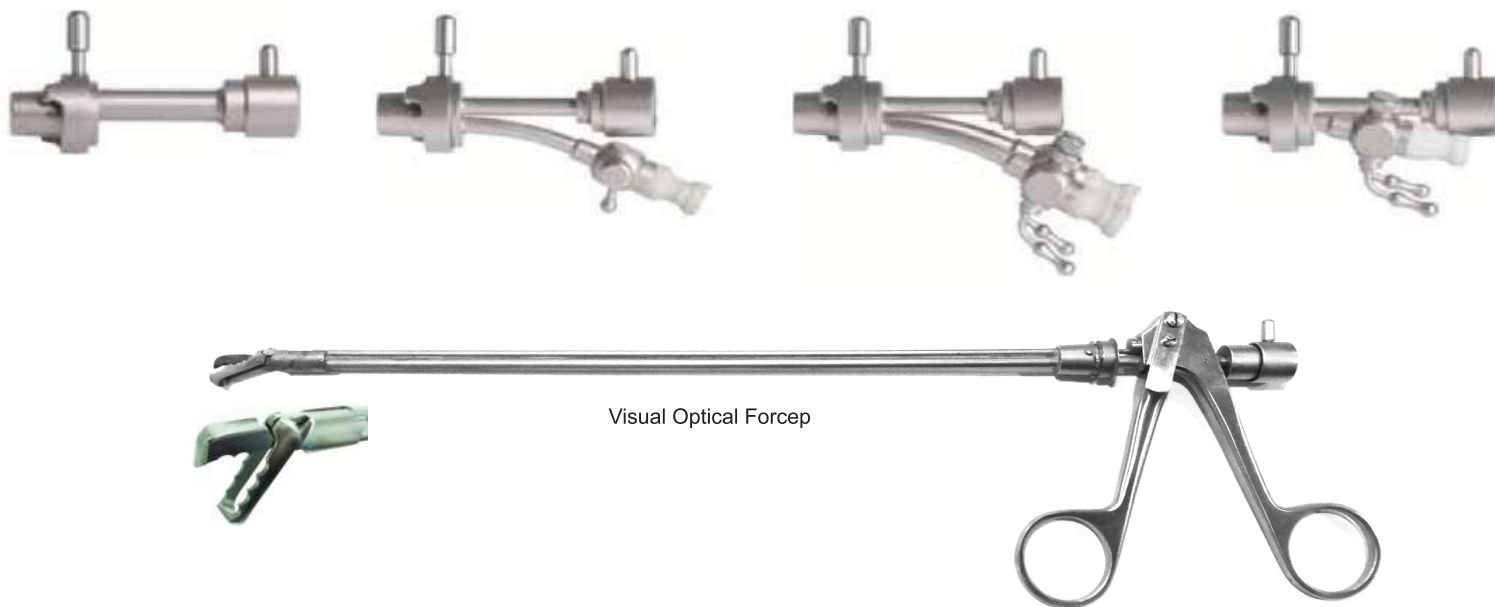
CYSTO-URETHROSCOPE-SHEATH with OBTURATOR 22 Fr

CYSTO-URETHROSCOPE-SHEATH with OBTURATOR 23.5 Fr

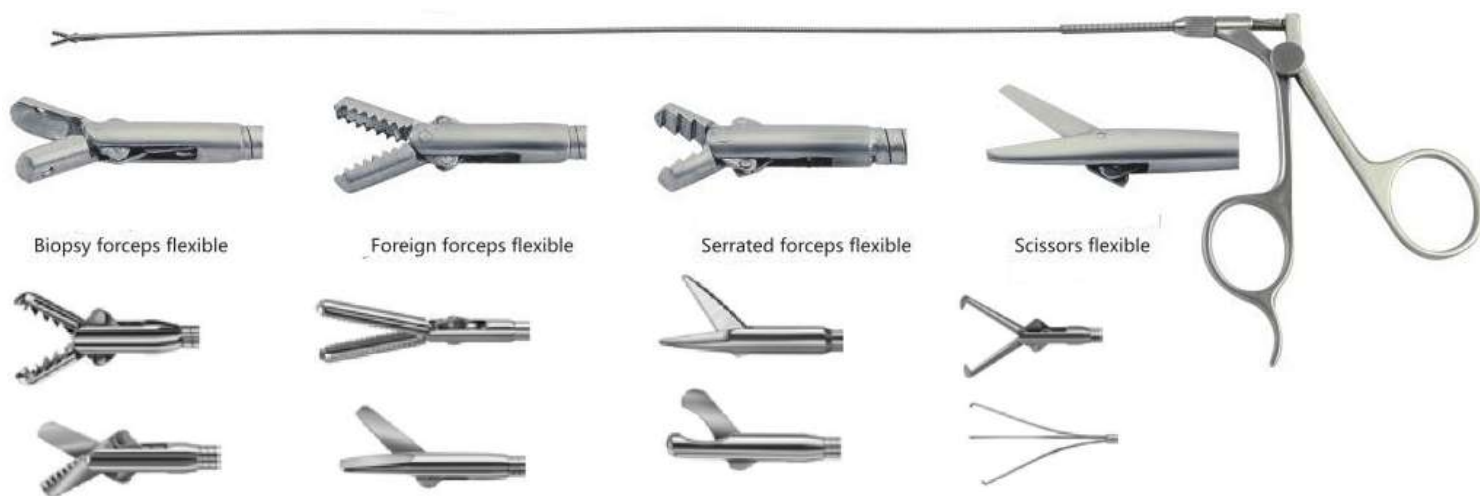
CYSTO-URETHROSCOPE-SHEATH with OBTURATOR 25 Fr



Endoscope Bridges



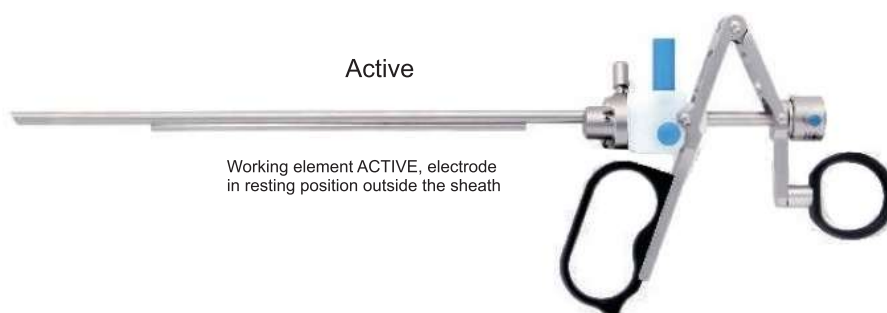
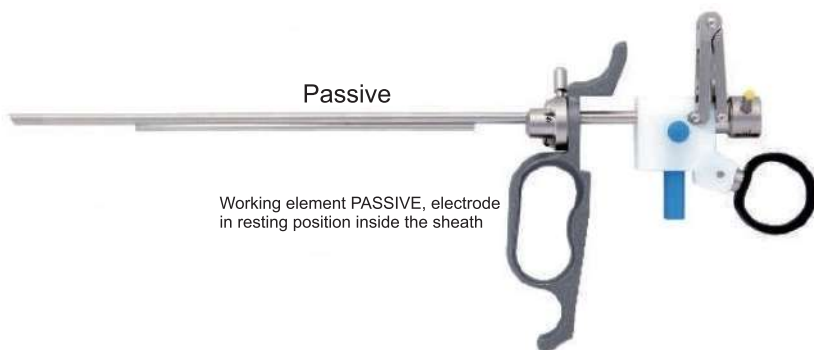
Forceps- Flexible, Semi-Rigid & Rigid



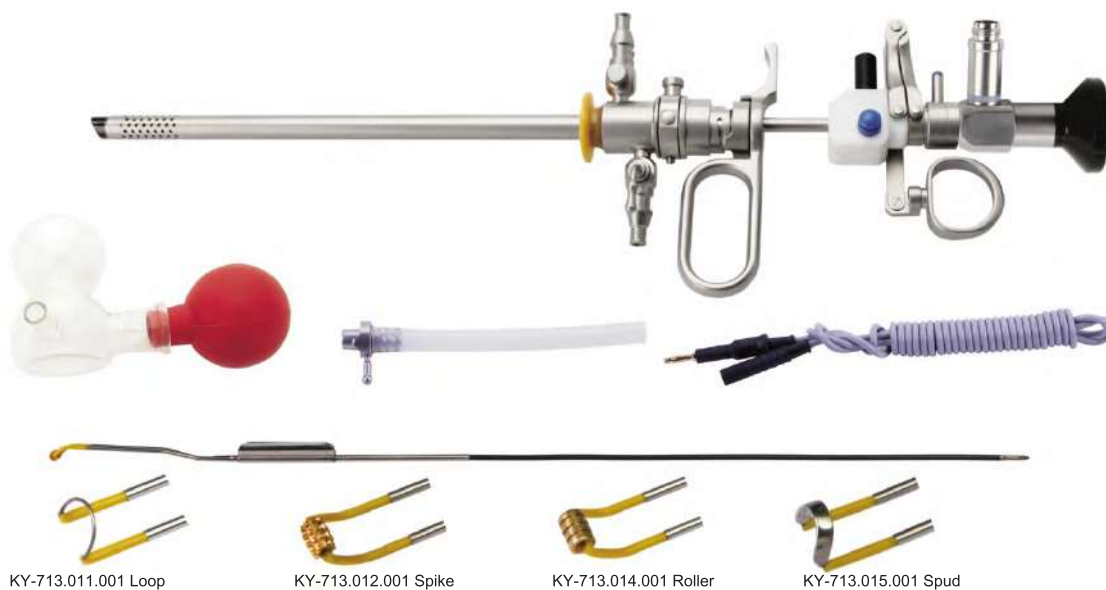
Continuous Flow Resectoscope Sheath-Rotatable



Working Element For Resectoscopes



Monopolar Resectoscopy Set



Urethrotome



Lithotripsy Set



Optical Forceps



Stone Extractors/Retrieval basket



Urethro-Cystoscopy Set



Hysteroscopy Set



KY-H03 $30^\circ \Phi 3\text{mm}$
 KY-H04 $30^\circ \Phi 4\text{mm}$
 Outer sheath with obturator

KY-H03.1 $30^\circ \Phi 3\text{mm}$
 KY-H04.1 $30^\circ \Phi 4\text{mm}$
 Manipulator





www.sharkinstruments.in

SHARK[®]
INSTRUMENTS

Crafted Steel For Perfect Surgery...

Office: 265, Roy Bahadur Road,
Kolkata: 700 053,
Contact: 033 35913866
Mobile: +91 9836096417
Mobile: +91 9830436926
email: sharkinstruments01@gmail.com
www.sharkinstruments.in
Workshop: Baruipur, South 24 pgs, WB, India.

Distributor